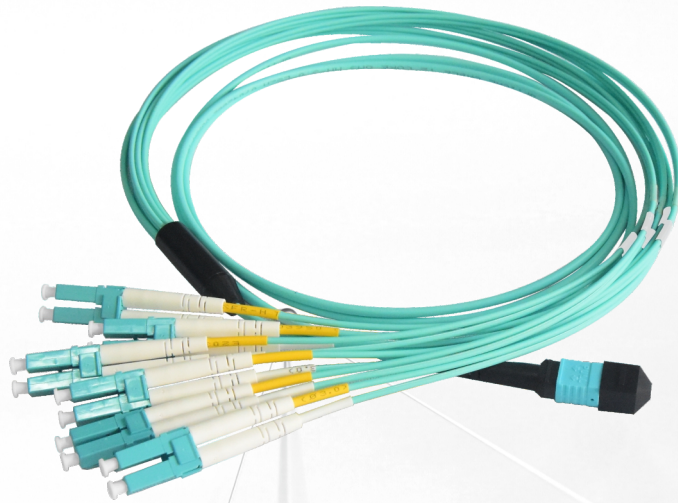




MPO/MTP[®] Breakout Cables Datasheet



Standards Compliance

- TIA/EIA 568.3-D
- IEC 61300-3-35
- RoHS and REACH

Features

- Low loss Connector
- Polish Type: UPC,PC,APC
- G657A1, OM3, OM4, OM5 available
- Supports 400G and 800G data rates
- Factory Pre-terminated 100% Tested

Technical Specification

ITEM	Description
Fiber Count	8~24 Fibers
Fiber Mode	Single Mode: G652D/G657.A1/G657.A2 Multimode: OM3/OM4/OM5
Connector A	MPO Female, Male/MTP Female, Male
Connector B	LC/SC/FC/ST
MPO/MTP Polish Type ^①	SM: PC;APC MM: PC
LC/SC/FC/ST Polish Type	SM: UPC;PC;APC MM: UPC;APC
Cable Jacket Ratings	PVC/LSZH/OFNP
Cable Jackets Color	SM: Yellow MM: Aqua(OM3); Violet(OM4); Lime Green(OM5)
Cable Diameter	Trunk 3.0mm, Branch 2.0mm
Connector Durability	≥500 Mating Cycles
Breakout Length	0.3m~2m
Polarity	Type A, Type B

Note: SM(Single Mode), MM(Multimode);

①: MTP single-mode polish type is APC;

Connector Type Fiber Mode	MPO/MTP		LC		SC		FC/ST	
	Connector	Boots	Connector	Boots	Connector	Boots	Connector	Boots
SM/PC/UPC	Green(SL) Yellow(LL)	Black	Blue	White	Blue	Blue	/	Black
SM/APC	Green(SL) Yellow(LL)	Black	Green	Green	Green	Green	/	Green
OM3	Aqua	Black	Aqua	White	Aqua	Aqua	/	Black
OM4	Violet	Black	Violet	White	Violet	Violet	/	Black
OM5	Lime Green	Black	Lime Green	White	Lime Green	Lime Green	/	Black

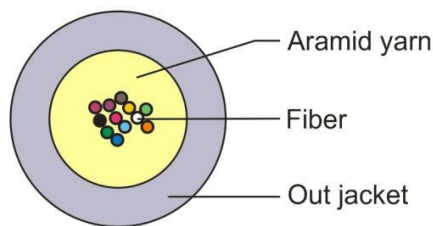
Note: SL(Standard loss), LL(Low loss);

ITEM	Description
MPO/MTP Insertion Loss	Standard loss: (SM:APC \leq 0.7dB; MM:PC: \leq 0.7dB) Low loss: (SM:APC \leq 0.35dB; MM:PC \leq 0.35dB)
MPO/MTP Return Loss	Standard loss: (SM:APC \geq 55dB; SM:PC \geq 40dB; MM:PC \geq 20dB) Low loss: (SM:APC \geq 60dB; SM:PC \geq 50dB; MM:PC \geq 25dB)
LC/SC/FC/ST Insertion Loss	SM/UPC: \leq 0.3dB, SM/APC: \leq 0.3dB MM/UPC: \leq 0.2dB
LC/SC/FC/ST Return Loss	SM/UPC: \geq 50dB, SM/APC: \geq 60dB MM/UPC: \geq 35B
Wavelength	SM: 1310/1550nm MM: 850/1300nm
Operating Temperature	-20~70°C
Storage Temperature	-40~70°C

Note: MPO Connectors are available in low loss or standard loss, MTP Connectors are low loss

ITEM	Description
Attenuation(dB/km)	SM: \leq 0.5 at 1310nm, \leq 0.4 at 1550nm OM3/OM4/OM5: \leq 3.5 at 850nm, \leq 1.5 at 1300nm
Bandwidth(MHz*km)	OM3: \geq 1500 at 850nm, \geq 500 at 1300nm OM4: \geq 3500 at 850nm, \geq 500 at 1300nm OM5: \geq 3500 at 850nm, \geq 500 at 1300nm

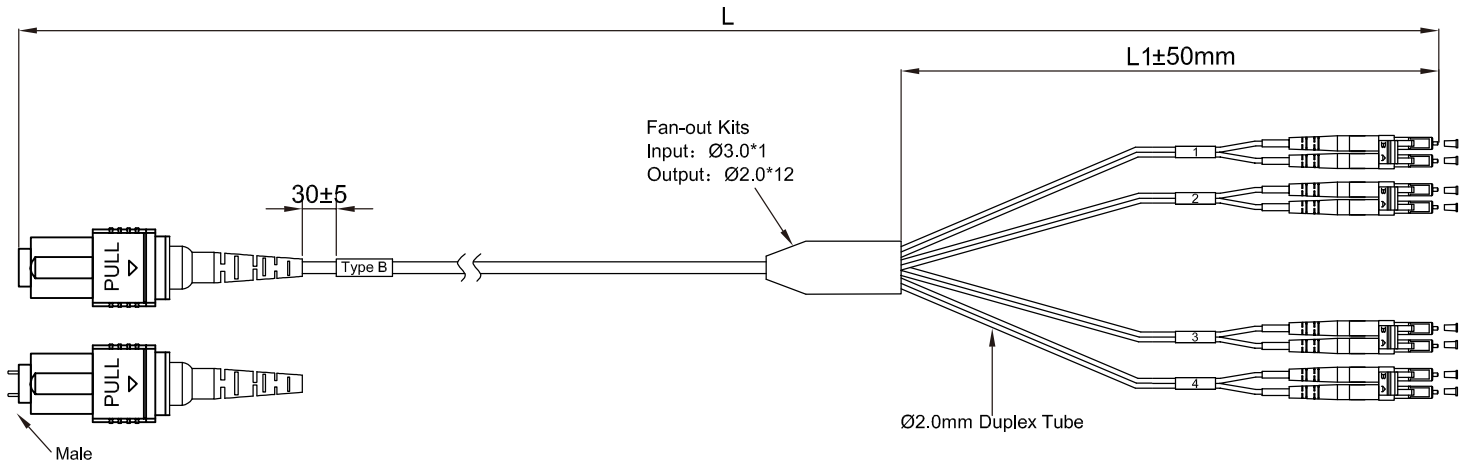
Cable Technical Specification



8~24 Fibers
Micro Multi-Core Soft Cable

ITEM	Micro Cable
Fiber Minimum Bend Radius	SM:16mm(G652D); 10mm(G657.A1); 7.5mm(G657.A2) MM:7.5mm(OM3/OM4/OM5)
Cable Minimum Bend Radius	Dynamic:20D Static:10D
Max.Crush Resistance	Short-term:500N/100mm Long-term:100N/100mm

Technical Drawing



Cable Length	Tolerances
$L \leq 1m$	+150mm/-0
$1m < L \leq 10m$	+150mm/-50
$10m < L \leq 30m$	+150mm/-50
$L > 30m$	+1%/-0

Ordering Information

MPO/F/PC - LC/UPC - OM3 - 12B - B2.0 - 1.5M/0.5 - LSZH - Aqua - A								
1	2	3	4	5	6	7	8	9

- 1-Connector A:** MPO/F/PC:MPO Female PC; MTP/M/APC:MTP Male APC;
- 2-Connector B:** LC/UPC;LC/APC; SC/UPC; SC/APC;
- 3-Fiber Type:** OM3; OM4; OM5; G652D; G657.A1; G657.A2;etc;
- 4-Fiber Count:** 12B:12F Bundled Cable; 12R: 12F Ribbon Cable; 12BR: 12F Bare Ribbon Cable;
- 5-Breakout Type:** B2.0: 2.0mm Breakout Cable; S:No Breakout;
- 6-Cable Length:** Total length: 1.5M, branch length: 0.5M;
- 7-Cable Jacket Ratings:** LSZH; PVC; OFNP;
- 8-Cable Color:** Yellow(G657A1);Aqua(OM3);Violet(OM4);Lime Green(OM5);
- 9-Polarity:** A: Type A; B: Type B;



SHKE Communication Tech Co.,Ltd.

Add: 3/F, Building 1, Future Science Park,
No.1026 Songbai Road, Xili, Nanshan District
Shenzhen 518055 China

E-mail: market@shke.com.cn

Web: www.shke.com.cn

Copyright ©202603 SHKE Communication Tech Co.,Ltd All Rights Reserved.