

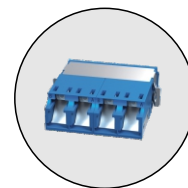


MPB6 MPO/LC/CS/SN Cassette Datasheet

Pre-terminated Modular Cassette System



- 100G upgrade to 400G/800G
- High-density fiber optic cabling
- Supports fusion patching, splicing, and adapter panel, TAP



Optional Dust Shutter Adapter

MPB6 Cassettes(MPO-LC)



Product Constructions	
Fiber Count	8 Fibers,12 Fibers,16 Fibers,24 Fibers
Fiber Mode	Single Mode: G657A1/G657A2
	Multimode: OM3/OM4/OM5
Polarity Type	Type A; Type B
Front Connector	Single Mode: LC Connector UPC/APC (UPC:Blue/APC:Green)
	Multimode: LC Connector UPC (OM3:Aqua/OM4:Violet/OM5:Lime Green)
Rear Connector	Single Mode: MPO/MTP APC/PC Male
	Multimode: MPO/MTP PC Male
Material	Plastic
Dimensions (WxDxH) No Adapter	8 Fibers Cassettes: 60mm×105mm×11.4mm
	12 Fibers Cassettes: 90mm×130mm×11.4mm
	16 Fibers Cassettes: 127.5mm×130mm×11.4mm
	24 Fibers Cassettes: 187.5mm×130mm×11.4mm

Performance Properties	
Front Connector Insertion Loss	SM:UPC \leq 0.3dB;APC \leq 0.3dB
	MM:UPC \leq 0.2dB
Front Connector Return Loss	SM:UPC \geq 50dB,APC \geq 60dB;MM:UPC \geq 35dB
Rear Connector Insertion Loss	MPO(SM:APC \leq 0.35dB;MM:PC \leq 0.35dB)
	MTP(SM:APC \leq 0.35dB;MM:PC \leq 0.35dB)
Rear Connector Return Loss	MPO(SM:APC \geq 60dB,PC \geq 50dB;MM:PC \geq 25dB)
	MTP(SM:APC \geq 60dB;MM:PC \geq 35dB);

Note:SM:Single Mode,MM:Multimode

MPB6 Cassettes(MPO-CS)



Product Constructions	
Fiber Count	12 Fibers,24 Fibers
Fiber Mode	Single Mode: G657A1/G657A2
	Multimode: OM3/OM4/OM5
Polarity Type	Type A; Type B
Front Connector	Single Mode: CS Connector UPC/APC (UPC:Blue/APC:Green)
	Multimode: CS Connector UPC (OM3:Aqua/OM4:Violet/OM5:Lime Green)
Rear Connector	Single Mode: MPO/MTP APC/PC Male
	Multimode: MPO/MTP PC Male
Material	Plastic
Dimensions (WxDxH) No Adapter	12 Fibers Cassettes: 60mm × 105mm × 11.4mm
	24 Fibers Cassettes: 127.5mm × 130mm × 11.4mm

Performance Properties	
Front Connector Insertion Loss	SM:UPC \leq 0.3dB;APC \leq 0.3dB
	MM:UPC \leq 0.2dB
Front Connector Return Loss	SM:UPC \geq 50dB,APC \geq 60dB;MM:UPC \geq 35dB
Rear Connector Insertion Loss	MPO(SM:APC \leq 0.35dB;MM:PC \leq 0.35dB)
	MTP(SM:APC \leq 0.35dB;MM:PC \leq 0.35dB)
Rear Connector Return Loss	MPO(SM:APC \geq 60dB,PC \geq 50dB;MM:PC \geq 25dB)
	MTP(SM:APC \geq 60dB;MM:PC \geq 35dB);

Note:SM:Single Mode,MM:Multimode

MPB6 Cassettes(MPO-SN)

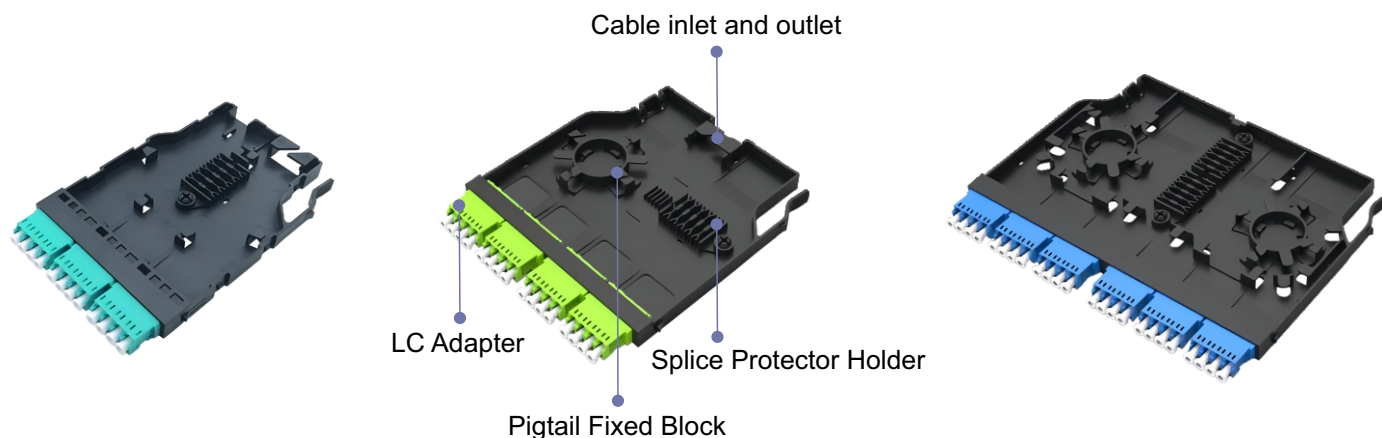


Product Constructions	
Fiber Count	16 Fibers,24 Fibers,32 Fibers
Fiber Mode	Single Mode: G657A1/G657A2
	Multimode: OM3/OM4/OM5
Polarity Type	Type A; Type B
Front Connector	Single Mode: SN Connector UPC/APC (UPC:Blue/APC:Green)
	Multimode: SN Connector UPC (OM3:Aqua/OM4:Violet/OM5:Lime Green)
Rear Connector	Single Mode: MPO/MTP APC/PC Male
	Multimode: MPO/MTP PC Male
Material	Plastic
Dimensions (WxDxH) No Adapter	16 Fibers Cassettes: 60mm × 105mm × 11.4mm
	24 Fibers Cassettes: 90mm × 130mm × 11.4mm
	32 Fibers Cassettes: 127.5mm × 130mm × 11.4mm

Performance Properties	
Front Connector Insertion Loss	SM:UPC \leq 0.3dB;APC \leq 0.3dB
	MM:UPC \leq 0.2dB
Front Connector Return Loss	SM:UPC \geq 50dB,APC \geq 60dB;MM:UPC \geq 35dB
Rear Connector Insertion Loss	MPO(SM:APC \leq 0.35dB;MM:PC \leq 0.35dB)
	MTP(SM:APC \leq 0.35dB;MM:PC \leq 0.35dB)
Rear Connector Return Loss	MPO(SM:APC \geq 60dB,PC \geq 50dB;MM:PC \geq 25dB)
	MTP(SM:APC \geq 60dB;MM:PC \geq 35dB);

Note:SM:Single Mode,MM:Multimode

MPB6S Cassettes(Splicing)



Splice Protector Holder Selection



Heat Shrinkable
Splice Protector Holder



Crimping
Splice Protector Holder

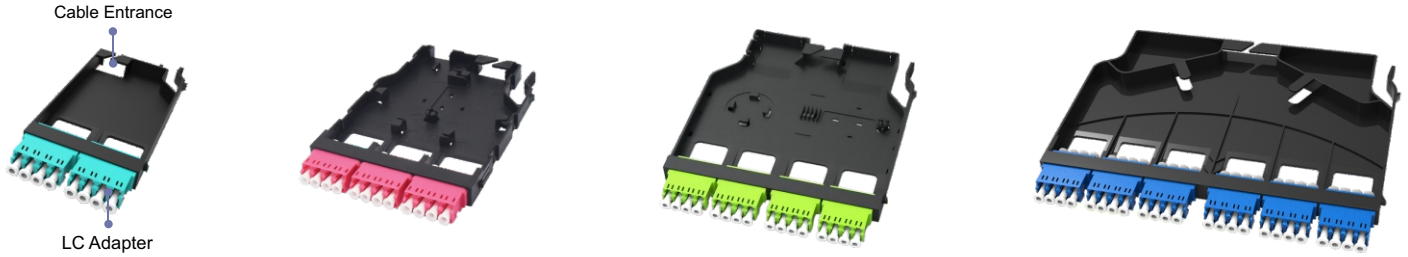
Cassettes includes pigtail

Product Constructions	
Fiber Count	12 Fibers/16 Fibers/24 Fibers
Fiber Mode	Single Mode: G657A1/G657A2
	Multimode: OM3/OM4/OM5
Material	Plastic
Front Connector	Single Mode: LC Connector UPC/APC(UPC:Blue/APC:Green)
	Multimode: LC Connector UPC(OM3:Aqua/OM4:Violet/OM5:Lime Green)
Dimensions (WxDxH) No Adapter	12 Fibers Cassettes: 90mm × 130mm × 11.4mm
	16 Fibers Cassettes: 127.5mm × 130mm × 11.4mm
	24 Fibers Cassettes: 187.5mm × 130mm × 11.4mm

Performance Properties	
Front Connector Insertion Loss	SM:UPC≤0.3dB;APC≤0.3dB
	MM:UPC≤0.2dB
Front Connector Return Loss	SM:UPC≥50dB,APC≥60dB;MM:UPC≥35dB

Note:SM:Single Mode,MM:Multimode

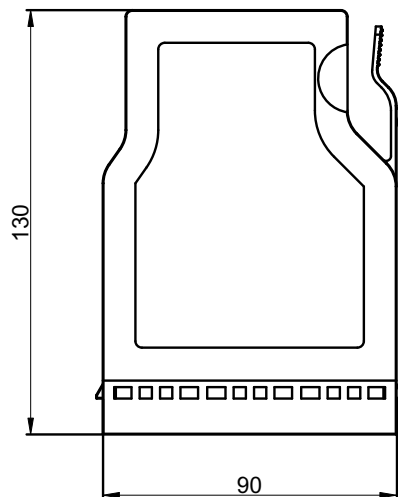
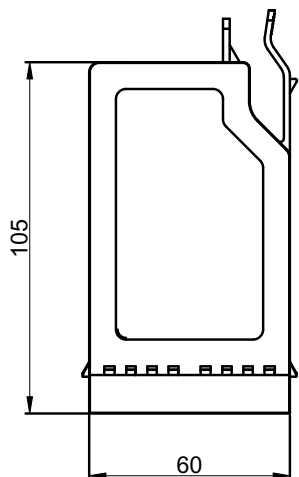
MPB6P Cassettes(Panel)



Product Constructions	
Material	Plastic
Front Adapter	LC Quad / CS 3-Channel(6F) / SN 2-Channel(8F) MPO/MTP Duplex
Dimensions (WxDxH) No Adapter	8 Fibers Cassettes: 60mm×105mm×11.4mm
	12 Fibers Cassettes: 90mm×130mm×11.4mm
	16 Fibers Cassettes: 127.5mm×130mm×11.4mm
	24 Fibers Cassettes: 187.5mm×130mm×11.4mm

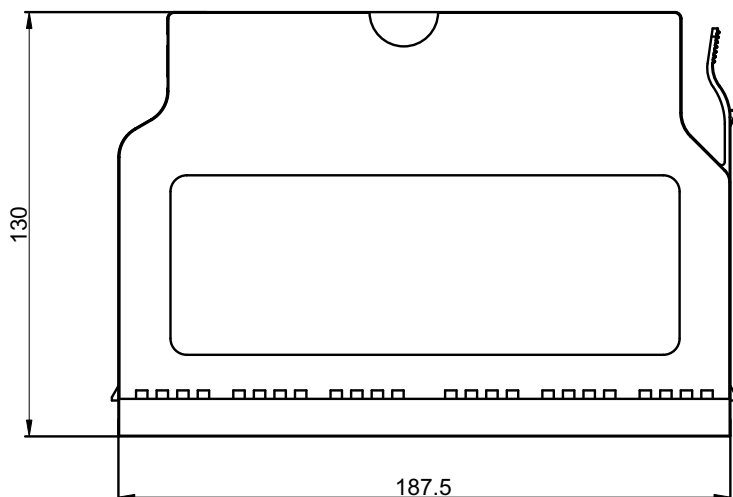
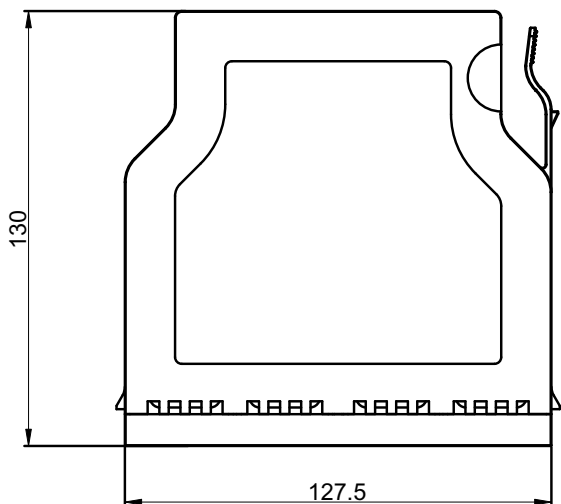
Note:Dimensions are based on LC adapter cassettes

Cassettes 2D View



8 Fibers LC/12 Fibers CS/16 Fibers SN

12 Fibers

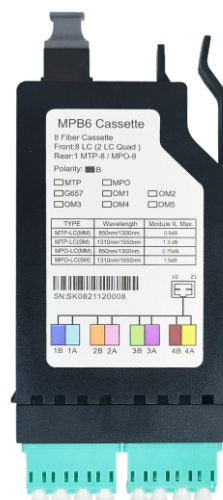
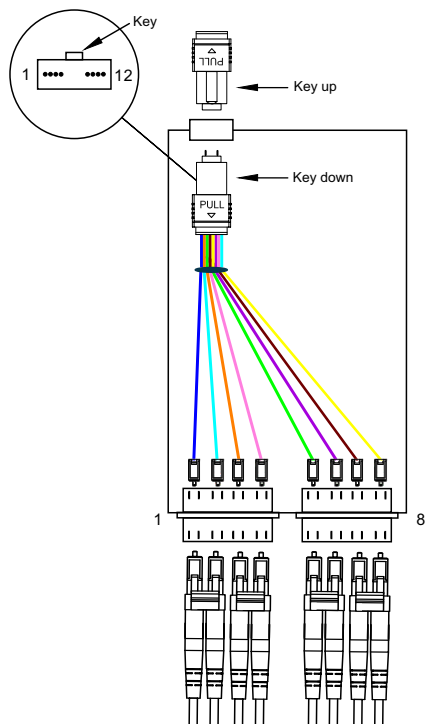


16 Fibers

24 Fibers

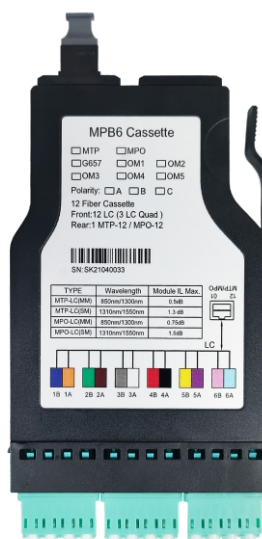
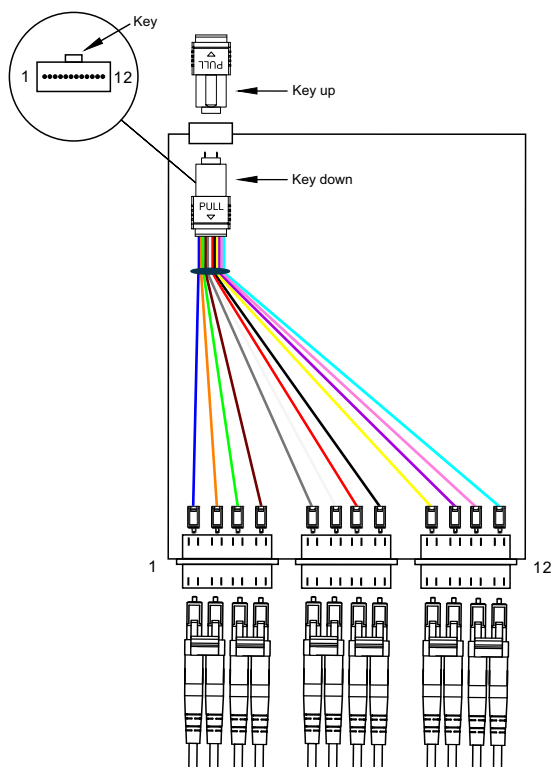
Polarity Illustration

8 Cassette, Type B



MPO	1	2	3	4	5	6	7	8
LC	1	2	3	4	5	6	7	8

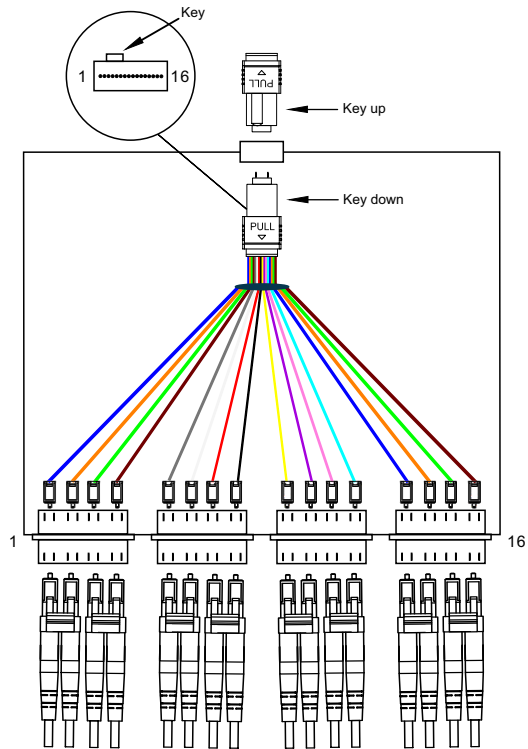
12 Cassette, Type A



MPO	1	2	3	4	5	6	7	8	9	10	11	12
LC	1	2	3	4	5	6	7	8	9	10	11	12

Polarity Illustration

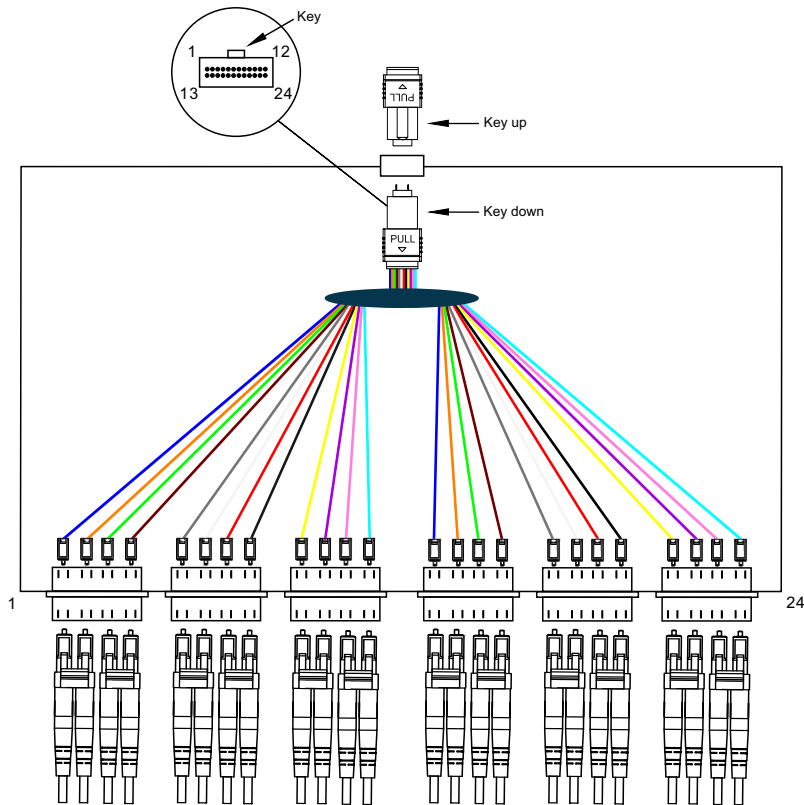
16 Cassette, Type A



A-MPO	1	2	3	4	5	6	7	8	9	10	11	12	13	14	15	16
LC	1	2	3	4	5	6	7	8	9	10	11	12	13	14	15	16

Polarity Illustration

24 Cassette, Type A



MPO-Top	1	2	3	4	5	6	7	8	9	10	11	12
LC	1	2	3	4	5	6	7	8	9	10	11	12
MPO-Bottom	13	14	15	16	17	18	19	20	21	22	23	24
LC	13	14	15	16	17	18	19	20	21	22	23	24

Ordering Information



MPB6 Cassettes

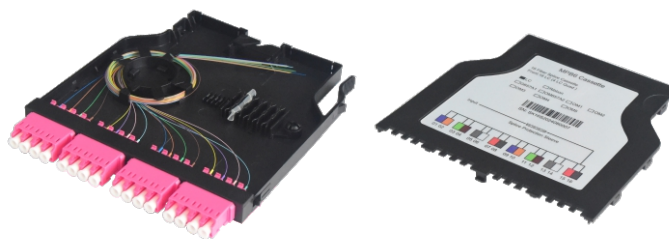
MPB6_12F-AP-P-Black-1×12-MPO/PC-LC/UPC-OM4	
	1 2 3 4 5 6 7 8
1-Model	MPB6_8F, MPB6_12F, MPB6_16F, MPB6_24F
2-Configuration	EM:Empty; AD:Adapter Included; AP:Fully Equipped
3-Material	P:Plastic
4-Color	Black
5-Cassettes Patch Cord	1×8;1×12;1×16;1×24;2x12:Fiber Count
6-Rear Connector	MPO/PC;MPO/APC;MTP/PC;MTP/APC
7-Front Connector	LC/PC;LC/APC;CS/PC;CS/APC;SN/PC;SN/APC
8-Fiber Mode	G657A1;OM3;OM4;OM5
Note: The front end uses CS adapter and the module box uses MPB6_8F.	



MPB6P Cassettes

MPB6P_12F-AD-P-Black-3MPO/DX	
	1 2 3 4 5
1-Model	MPB6P_8F, MPB6P_12F, MPB6P_16F, MPB6P_24F
2-Configuration	EM:Empty; AD:Adapter Included
3-Material	P:Plastic
4-Color	Black
5-Adapter Type	2~4MPO(MTP)/DX,6MPO(MTP)/DX,2~4SLD(LC Quad),6SLD
Note: 1.LC adapter: Inline quad short ear symmetrical type; MPO/MTP adapter: SC type duplex short ear flange, 1 key end facing up, the other key end facing down.MTP is a designated product of US Conec. 2. There are 2/3/4/6 square holes on the bottom of the panel.	

Ordering Information



MPB6S Cassettes

$\frac{\text{MPB6S_16F-AP-P-Black-1}\times\text{16-LC/UPC-OM4}}{1 \quad 2 \quad 3 \quad 4 \quad 5 \quad 6 \quad 7}$	
1-Model	MPB6S_12F, MPB6S_16F, MPB6S_24F
2-Configuration	EM:Empty; AD:Adapter Included; AP:Fully Equipped
3-Material	P:Plastic
4-Color	Black
5-Cassettes Patch Cord	1×12;1×16;1×24;2x12:Fiber Count
6-Front Connector	LC/PC;LC/APC;SC/PC;SC/APC
7-Fiber Mode	G657A1;OM3;OM4;OM5
Note: 1.LC adapter: straight four-pin short lug; MPO/MTP adapter: SC type short lug flange, with one end of the key facing up and the other end facing down. 2. There are 3/4/6 square holes at the bottom of the panel.	



SHKE Communication Tech Co.,Ltd.

Add: 301, Factory Building 1, Nangang 2 Industrial Park,
 No.1026 Songbai Road, Sunshine Community,
 Xili Street, Nanshan District, Shenzhen, China
 P.C.:518108

E-mail: market@shke.com.cn

Web: www.shke.com.cn

Copyright ©202508 SHKE Communication Tech Co.,Ltd All Rights Reserved.