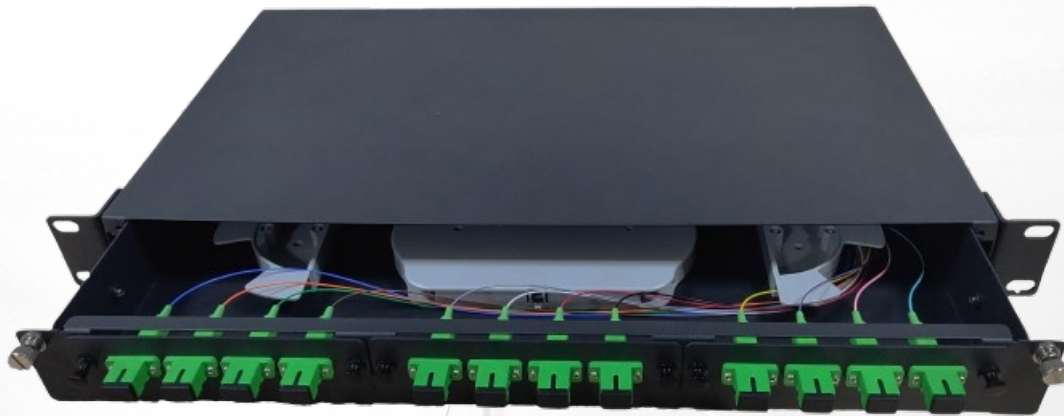




# GPX11X3-3MD-1U High Density Patch Panel

High-density MPO/MTP fiber optic cabling system



- High-density MPO/MTP fiber optic cabling
- The drawer-style pull-out design is easy to pull out and manage
- Suitable for 19-inch standard rack installation

## Description

GPX11X3-3MD is a high-density, modular fiber optic wiring platform. It adopts a guide rail drawer-style pull-out design, which is easy to pull out and easy to organize and manage cables. The box body is made of high-quality cold-rolled steel plate, which has the advantages of strong rust resistance, wear resistance and corrosion resistance. The fixed panel is detachable and can be installed with module boxes or adapter panel strips. The modular design allows 1U to accommodate up to 3 LGX cassettes, providing customers with more choices.

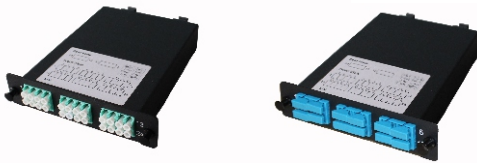
## Product Model And Appearance



GPX11X3-3MD-1U  
Cassettes Deployment

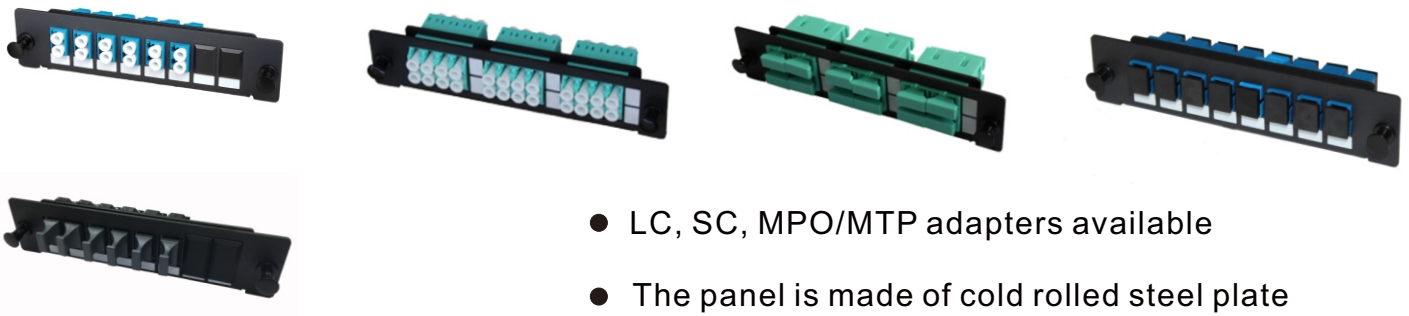


GPX11X3-3MD-1U  
Splice Tray Deployment



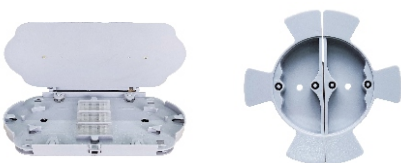
MPB3 Cassettes

- Factory pre-terminated, plug and play during installation
- Provide MPO/MTP-LC module and MPO/MTP-SC module options
- Optional 24-core LC adapter or 12-core SC adapter



Adapter Panel

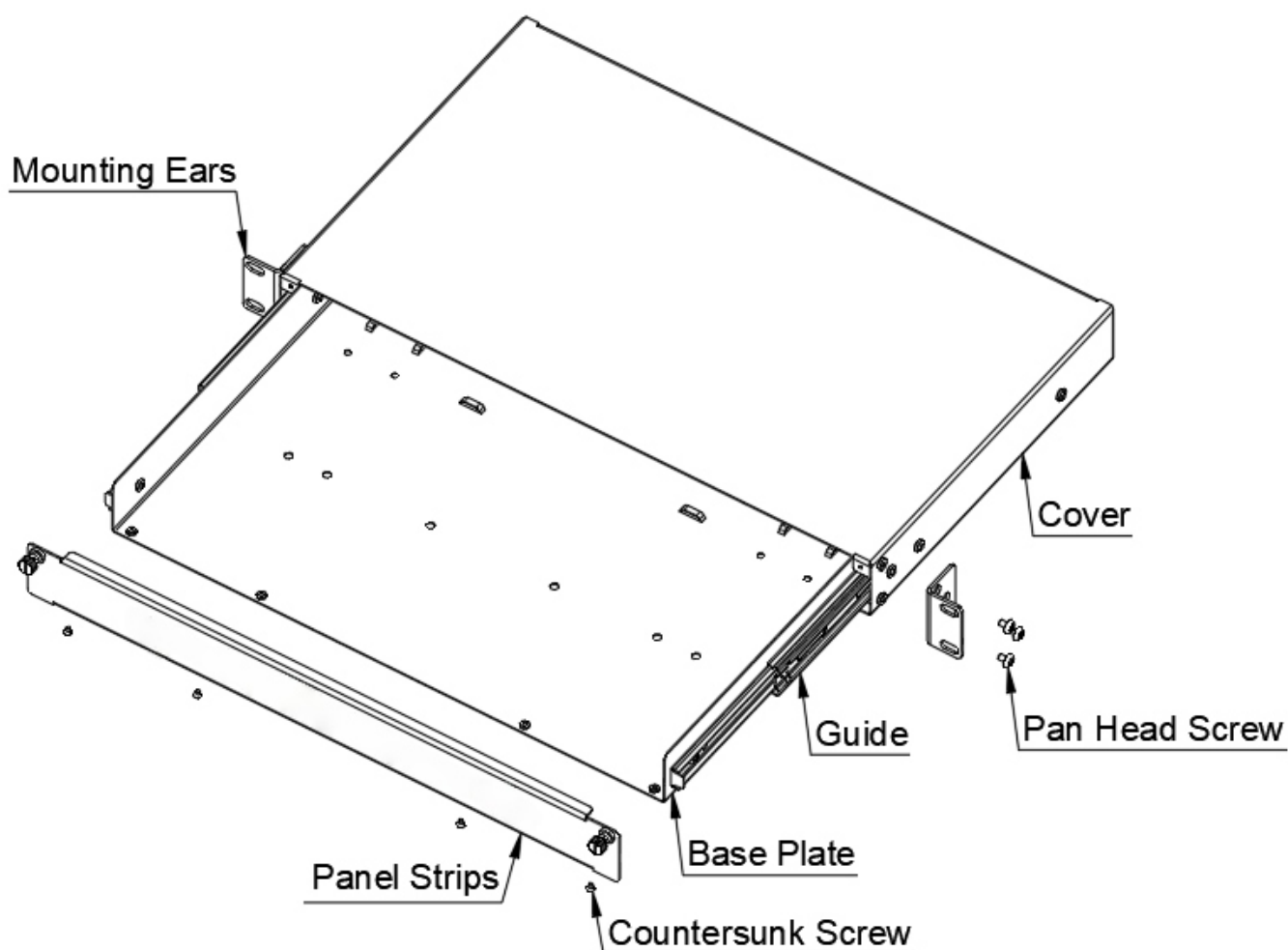
- LC, SC, MPO/MTP adapters available
- The panel is made of cold rolled steel plate
- Optional 12-core LC or 24-core LC adapter, 8-core SC or 12-core SC adapter



Splice Tray

- Each splice tray has a melting capacity of 12 fibers
- Layered structure, easy to operate
- The winding wheel can be used in two ways: semicircle and circle, which is compact and convenient.

## Patch Panel Structure



### Product Specifications

Operating Temperature	-40°C ~ +60°C
Storage Temperature	-40°C ~ +60°C
Relative Humidity	≤85%(+30 °C)
Atmospheric Pressure	70kPa ~ 106kPa
Box Material	Cold Rolled Steel Plate
Dimensions(WxDxH)	483mm × 373mm × 1U
Full Core Number	1U-72F

## MPB3 Cassettes (MPO/MTP-LC/SC)



Technical Parameters	
Number of optical fiber cores	SC:12F/LC:24F
Fiber polarity	Type A
Front connector	LC straight quad (no ears) × 6Pcs / SC double (no ears) × 6Pcs
Back-end connector	SM:MPO/MTP (male) -APC
	MM:MPO/MTP (male) -PC
Box material	cold-rolled steel sheets
Dimensions (W×D×H)	130mm × 142mm × 34mm

Performance parameters		
Type	wavelength	Module return consumption (maximum)
MTP-LC/SC(MM)	850nm/1300nm	0.50dB
MTP-LC/SC(SM)	1310nm/1550nm	1.30dB
MPO-LC/SC(MM)	850nm/1300nm	0.75dB
MPO-LC/SC(SM)	1310nm/1550nm	1.50dB

Note: SM: single mode, MM: multimode

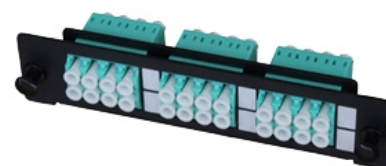
# Adapter Panel

Technical Parameters	
Material	cold-rolled steel sheets
Color	Black (fine sand spray)
Adapter Type	LC Duplex × 6Pcs
Dimensions (W×D×H)	130mm×22mm×30mm



12F LC(dual)

Technical Parameters	
Material	cold-rolled steel sheets
Color	Black (fine sand spray)
Adapter Type	LC quadruple × 6Pcs
Dimensions (W×D×H)	130mm×22mm×30mm



24F LC(quadruple)

Technical Parameters	
Material	cold-rolled steel sheets
Color	Black (fine sand spray)
Adapter Type	SC double × 6Pcs
Dimensions (W×D×H)	130mm×22mm×30mm



12F SC(dual)

Technical Parameters	
Material	cold-rolled steel sheets
Color	Black (fine sand spray)
Adapter Type	SC single × 8Pcs
Dimensions (W×D×H)	130mm×22mm×30mm



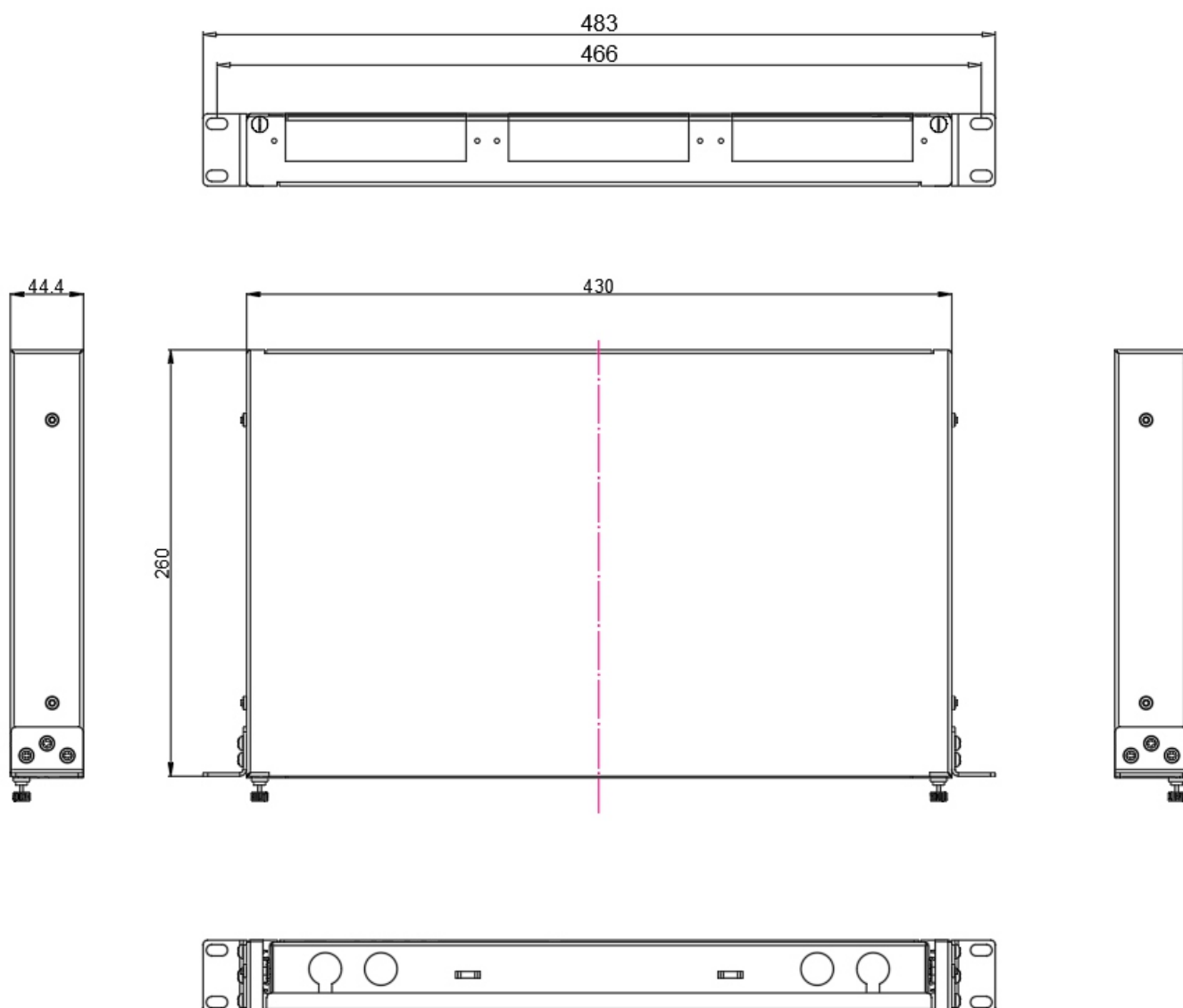
8F SC(single)

Technical Parameters	
Material	cold-rolled steel sheets
Color	Black (fine sand spray)
Adapter Type	MTP/MPO×6Pcs
Dimensions (W×D×H)	130mm×22mm×30mm

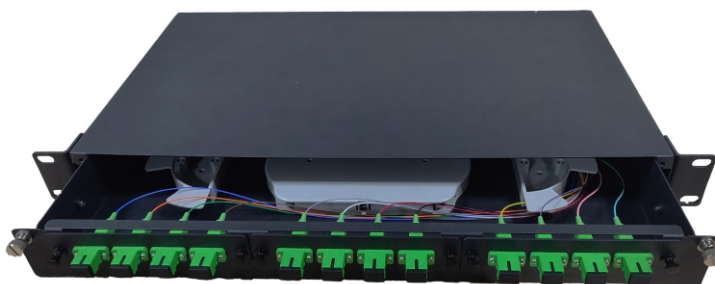


MPO/MTP Panel

# GPX11X3-3MD-1U 2D View

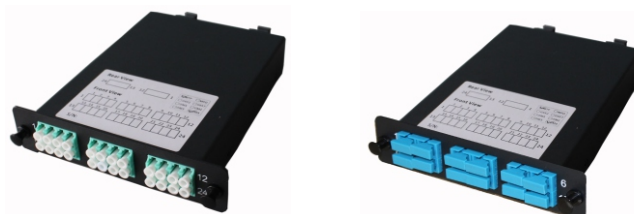


## Ordering Information



### Patch Panel-GPX11X3-3MD

GPX11X3-3MD - EM - SP - B - 9004 - 12SD - 1U	
	1      2      3      4      5      6      7
1-Model	GPX11X3-3MD
2-Configuration	EM: empty box; AD: with adapter; AP: with adapter and pigtail
3-Main Material	SP: Cold Rolled Steel Plate
4-Surface Spraying	B: Fine sand texture
5-Spray Color	9004: RAL9004
6-Adapters Port	12SC; 24SC; 12SD; 12SLC; 12ST; 24ST; 12FC; 24FC
7-Box Height	1U



### Cassettes/Panel-MPB3

MPB3 - EM - SP - B - 9004 - 2×12 - MPO/PC - LC/UPC - OM3	
	1      2      3      4      5      6      7      8      9
1-model	MPB3
2-Configuration	EM: empty box; AD: with adapter; AP: with adapter and jumper
3-Main material	SP: Cold rolled steel sheet
4-Surface spraying	B: Fine sand texture
5-Spray color	9004: RAL9004
6-Number of module jumpers	2×12: two 12F cables; 1×24: one 24F cable; 1×12: one 12F cable
7-Backend connector	MPO/PC; MPO/APC; MTP/PC; MTP/APC
8-Front end connector	LC/UPC; LC/APC; SC/UPC; SC/APC
9-Fiber optic connection type	G657A1; OM1; OM2; OM3; OM4; OM5

Note: 1. Adapter requirements: ①、LC: In-line quadruple short ear type/double short ear type; When the module box is 24 cores, there are two-way and four-way adapters to choose from. The need for a two-way or four-way adapter should be indicated in brackets after the product description;

②、SC: Double short ear type;

③、MPO: Quasi flange, one key facing upwards, the other key facing downwards;

④、MTP: Standard flange, USCONEC specified, one key facing up, the other key facing down;



**SHKE Communication Tech Co.,Ltd.**

Add: 301, Factory Building 1, Nangang 2 Industrial Park,  
No.1026 Songbai Road, Sunshine Community,  
Xili Street, Nanshan District, Shenzhen, China  
P.C.:518108

E-mail: [market@shke.com.cn](mailto:market@shke.com.cn)

Web: [www.shke.com.cn](http://www.shke.com.cn)

---

Copyright ©202508 SHKE Communication Tech Co.,Ltd All Rights Reserved.