



MPB6 8/12/16/24 Cassette Datasheet

Pre-terminated Modular Cassette System



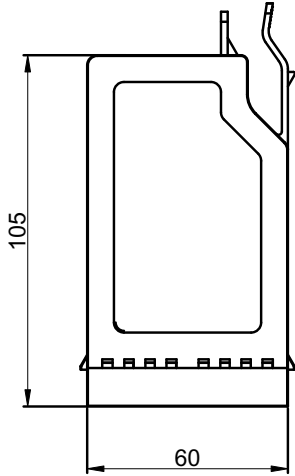
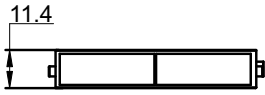
- High-density fiber optic cabling
- 100G upgrade to 400G/800G
- Supports up to 1U-216F

Product Constructions	
Fiber Count	8 Fibers/12 Fibers/16 Fibers/24 Fibers
Fiber Mode	Single Mode:G657A1
	Multimode:OM3,OM4,OM5
Polarity Type	8 Fibers:Type B
	12 Fibers/16 Fibers/24 Fibers:Type A
Front Connector	Single Mode:LC/CS Duplex UPC/APC(UPC:Blue/APC:Green) MPO/MTP PC/APC Male
	Multimode:LC/CS Duplex UPC(OM3:Aqua/OM4:Violet/OM5:Lime Green) MPO/MTP PC Male
Rear Connector	Single Mode:MPO/MTP APC/PC Male
	Multimode:MPO/MTP PC Male
Material	Plastic
Dimensions (WxDxH) No Adapter	8 Fibers LC/12 Fibers CS:60mm×105mm×11.4mm
	12 Fibers LC:90mm×130mm×11.4mm
	16 Fibers LC:127.5mm×130mm×11.4mm
	24 Fibers LC:187.5mm×130mm×11.4mm

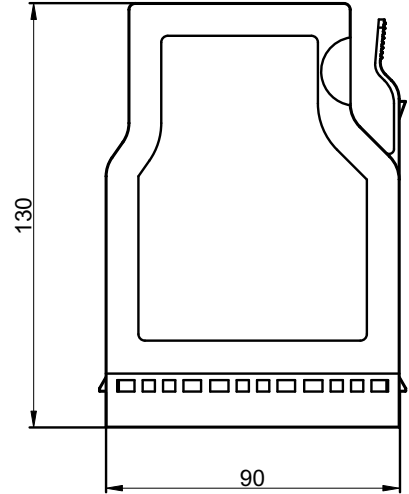
Performance Properties	
Front Connector Insertion Loss	SM:UPC≤0.3dB;APC≤0.3dB
	MM:UPC≤0.2dB
Front Connector Return Loss	SM:UPC≥50dB,APC≥60dB;MM:UPC≥35dB
Rear Connector Insertion Loss	MPO(SM:APC≤0.35dB;MM:PC≤0.35dB)
	MTP(SM:APC≤0.35dB;MM:PC≤0.35dB)
Rear Connector Return Loss	MPO(SM:APC≥60dB,PC≥50dB;MM:PC≥25dB)
	MTP(SM:APC≥60dB;MM:PC≥35dB);

Note:SM:Single Mode,MM:Multimode

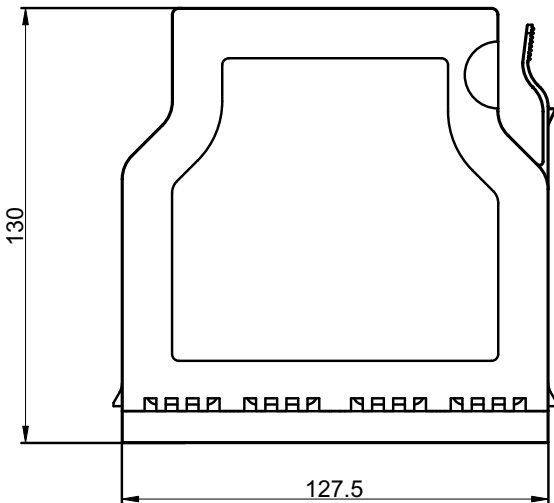
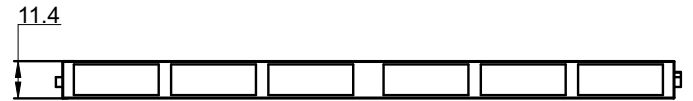
MPB6 2D View



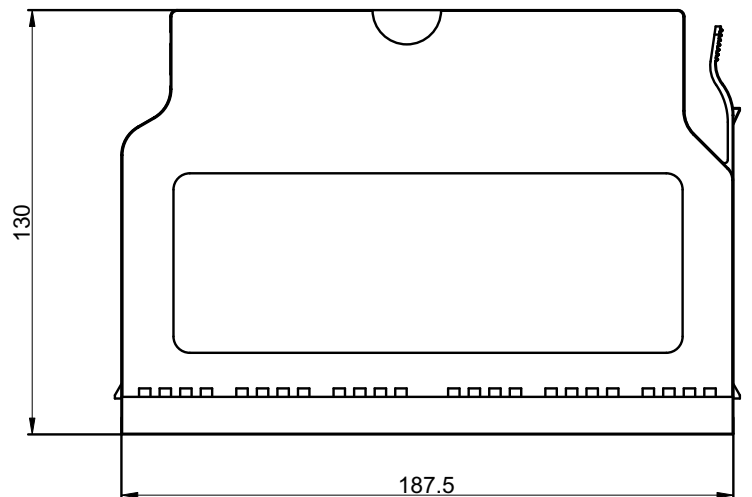
8 Fibers/12 Fibers-CS



12 Fibers



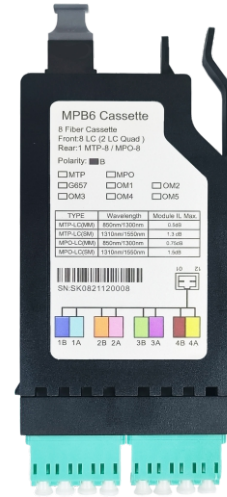
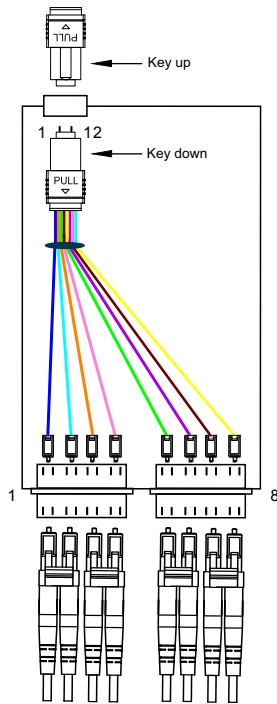
16 Fibers



24 Fibers

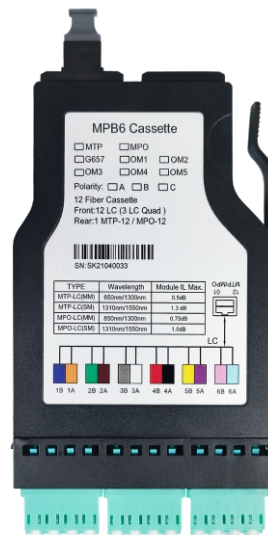
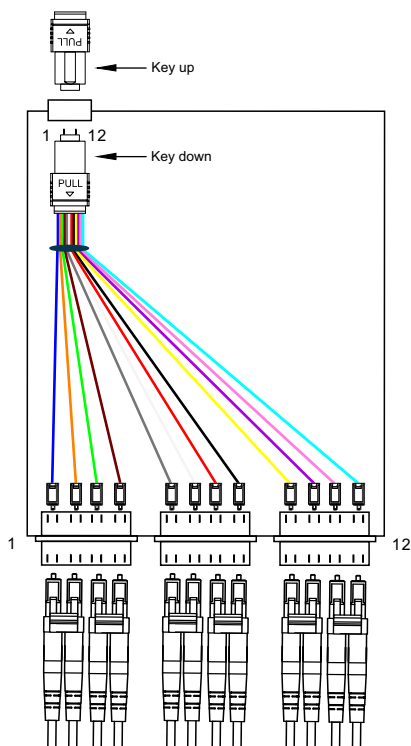
Polarity Illustration

8 Cassette, Type B



MPO	1	2	3	4					5	6	7	8
LC	1	2	3	4					5	6	7	8

12 Cassette, Type A



MPO	1	2	3	4	5	6	7	8	9	10	11	12
LC	1	2	3	4	5	6	7	8	9	10	11	12

Ordering Information



Cassettes-MPB6

	MPB6_12F-AP-P-Black-1×12-MPO/PC-LC/UPC-OM4
	1 2 3 4 5 6 7 8
1-Model	MPB6_8F/12F/16F/24F;MPB6S_12F/16F/24F
2-Configuration	EM:Empty; AD:Adapter Included; AP:Fully Equipped
3-Material	P:Plastic
4-Color	Black
5-Cassettes Patch Cord	1×8;1×12;1×16;1×24;2x12:Number of Cores
6-Rear Connector	MPO/PC;MPO/APC;MTP/PC;MTP/APC
7-Front Connector	LC/PC;LC/APC;SC/PC;SC/APC;CS/PC;CS/APC
8-Fiber Mode	G657A1;OM3;OM4;OM5
Note: The front end uses CS adapter and the module box uses MPB6_8F.	