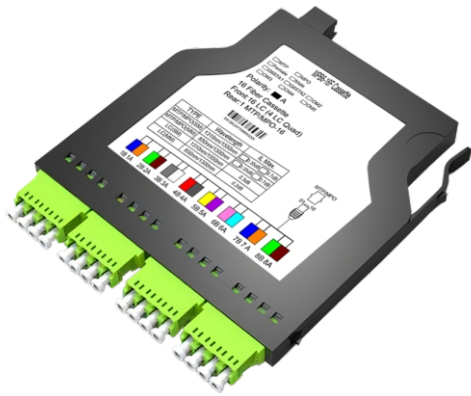




MPB6 8/12/16/24 Cassette Datasheet

Pre-terminated Modular Cassette System



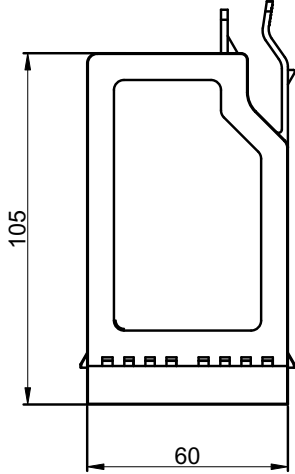
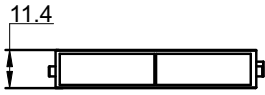
- High-density fiber optic cabling
- 100G upgrade to 400G/800G
- Supports up to 1U-216F

| Product Constructions | |
|--|---|
| Fiber Count | 8 Fibers/12 Fibers/16 Fibers/24 Fibers |
| Fiber Mode | Single Mode:G657A1 |
| | Multimode:OM3,OM4,OM5 |
| Polarity Type | 8 Fibers:Type B |
| | 12 Fibers/16 Fibers/24 Fibers:Type A |
| Front Connector | Single Mode:LC/CS Duplex UPC/APC(UPC:Blue/APC:Green) MPO/MTP PC/APC Male |
| | Multimode:LC/CS Duplex UPC(OM3:Aqua/OM4:Violet/OM5:Lime Green) MPO/MTP PC Male |
| Rear Connector | Single Mode:MPO/MTP APC/PC Male |
| | Multimode:MPO/MTP PC Male |
| Material | Plastic |
| Dimensions (WxDxH) No Adapter | 8 Fibers LC/12 Fibers CS:60mm×105mm×11.4mm |
| | 12 Fibers LC:90mm×130mm×11.4mm |
| | 16 Fibers LC:127.5mm×130mm×11.4mm |
| | 24 Fibers LC:187.5mm×130mm×11.4mm |

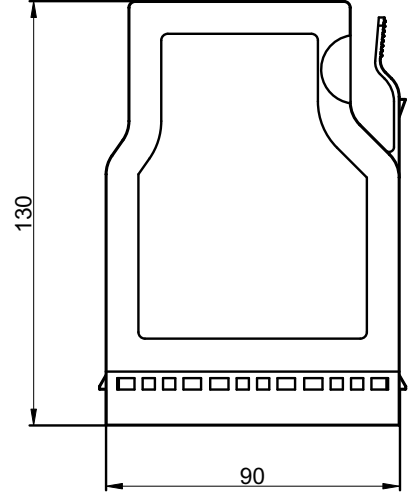
| Performance Properties | |
|---|-------------------------------------|
| Front Connector Insertion Loss | SM:UPC≤0.3dB;APC≤0.3dB |
| | MM:UPC≤0.2dB |
| Front Connector Return Loss | SM:UPC≥50dB,APC≥60dB;MM:UPC≥35dB |
| Rear Connector Insertion Loss | MPO(SM:APC≤0.35dB;MM:PC≤0.35dB) |
| | MTP(SM:APC≤0.35dB;MM:PC≤0.35dB) |
| Rear Connector Return Loss | MPO(SM:APC≥60dB,PC≥50dB;MM:PC≥25dB) |
| | MTP(SM:APC≥60dB;MM:PC≥35dB); |

Note:SM:Single Mode,MM:Multimode

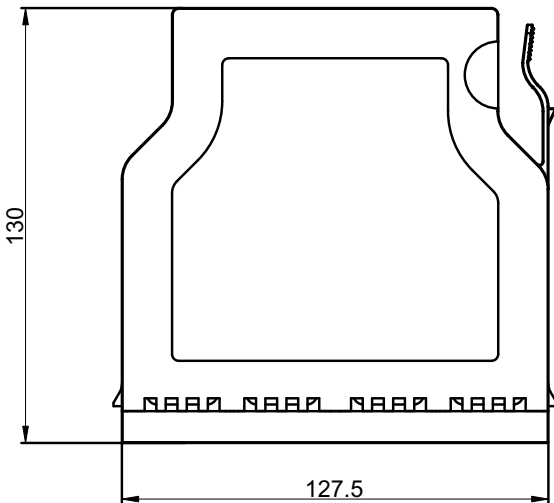
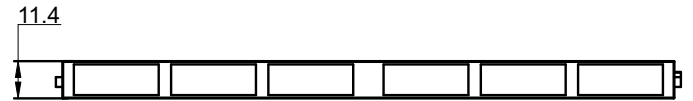
MPB6 2D View



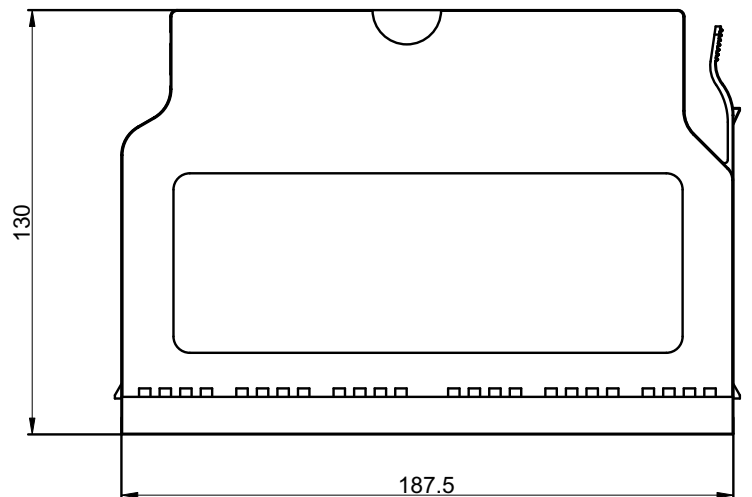
8 Fibers/12 Fibers-CS



12 Fibers



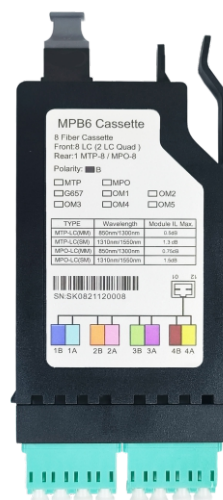
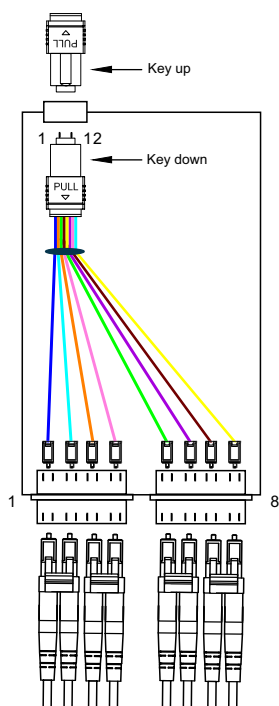
16 Fibers



24 Fibers

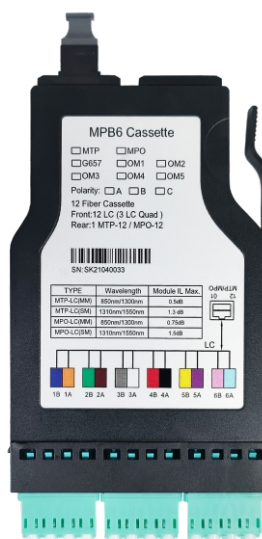
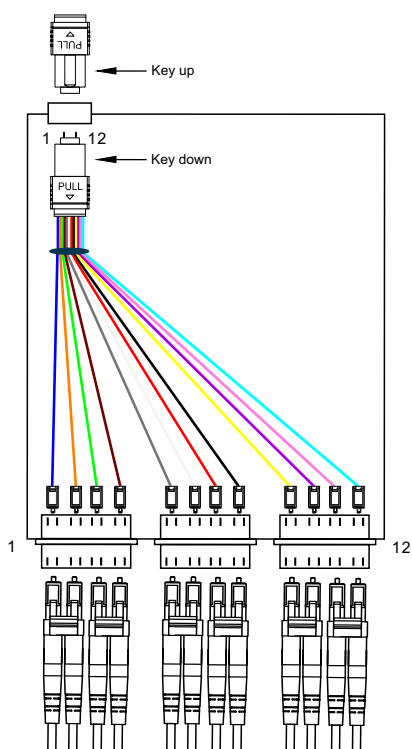
Polarity Illustration

8 Cassette, Type B



| | | | | | | | | | | | | |
|-----|---|---|---|---|--|--|--|--|---|---|---|---|
| MPO | 1 | 2 | 3 | 4 | | | | | 5 | 6 | 7 | 8 |
| LC | 1 | 2 | 3 | 4 | | | | | 5 | 6 | 7 | 8 |

12 Cassette, Type A



| | | | | | | | | | | | | |
|-----|---|---|---|---|---|---|---|---|---|----|----|----|
| MPO | 1 | 2 | 3 | 4 | 5 | 6 | 7 | 8 | 9 | 10 | 11 | 12 |
| LC | 1 | 2 | 3 | 4 | 5 | 6 | 7 | 8 | 9 | 10 | 11 | 12 |

Ordering Information



Cassettes-MPB6

| | MPB6_12F-AP-P-Black-1×12-MPO/PC-LC/UPC-OM4 |
|--|--|
| | 1 2 3 4 5 6 7 8 |
| 1-Model | MPB6_8F/12F/16F/24F;MPB6S_12F/16F/24F |
| 2-Configuration | EM:Empty; AD:Adapter Included; AP:Fully Equipped |
| 3-Material | P:Plastic |
| 4-Color | Black |
| 5-Cassettes Patch Cord | 1×8;1×12;1×16;1×24;2x12:Fiber Count |
| 6-Rear Connector | MPO/PC;MPO/APC;MTP/PC;MTP/APC |
| 7-Front Connector | LC/PC;LC/APC;SC/PC;SC/APC;CS/PC;CS/APC |
| 8-Fiber Mode | G657A1;OM3;OM4;OM5 |
| Note: The front end uses CS adapter and the module box uses MPB6_8F. | |