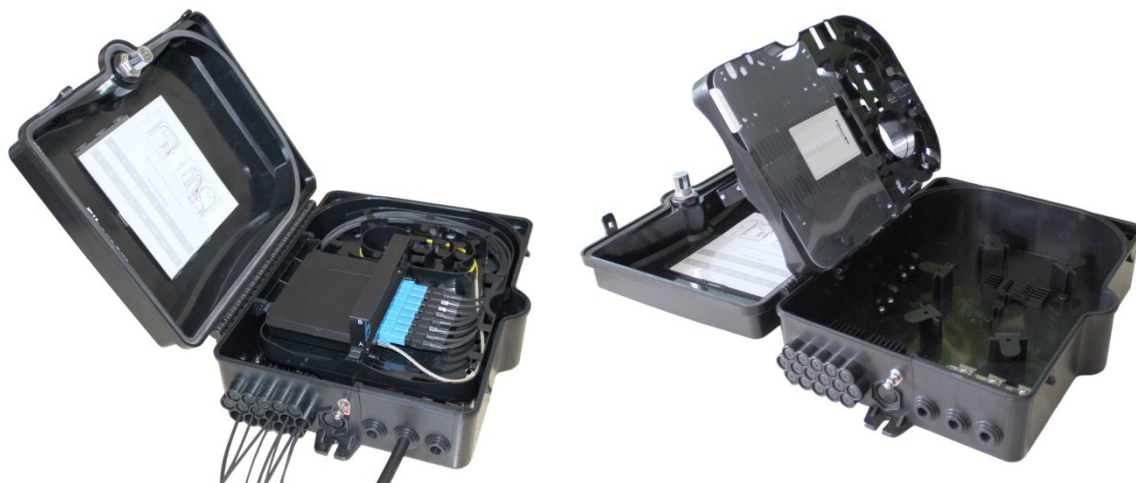


Multipurpose Termination Box

STB-16D



Description

Mainly used in FTTxProject, with the function of mechanical splice, cable distribution. It can protect and manage the cable effectively.

Features

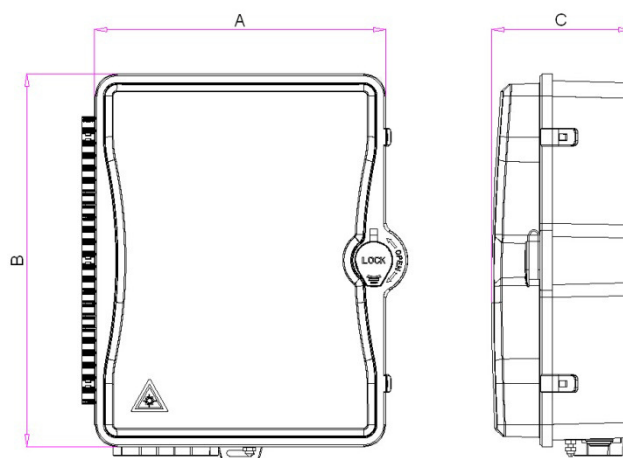
- Fully closed structure, simple and beautiful shape
- Adopted high quality ABS plus PC material, with a good property of dustproof, waterproof, moisture proof, achieved IP 55 Grade
- Suitable for 2pcs 1*8 PLC Splitter cassette box, or 1pc 1*16 PLC Splitter cassette box
- Flexible splice tray which is convenient for operation and maintaining
- Wall and pole mountable, suitable for indoor and outdoor use

Technical Conditions

- Work Temperature: $-40^{\circ}\text{C} \sim +70^{\circ}\text{C}$
- Relative Humidity: $\leq 85\% (+30^{\circ}\text{C})$
- Atmospheric pressure: $70\text{Kpa} \sim 106\text{Kpa}$
- Insert & Pull out Life: ≥ 1000 times
- Material:
Box: ABS+PC; Lock: Zinc Alloy; Tapping Point: Copper; Other Metallic Parts: Stainless Steel
- The grounding device is insulated with the Termination box, $IR \geq 1000\text{M}\Omega / 500\text{V}$ (direct current)
- Between the grounding device and boxbody, the withstand voltage is over $3000\text{V}/\text{Min}$, no breakdown and flashover. $U \geq 3000\text{V}$ (Direct current)

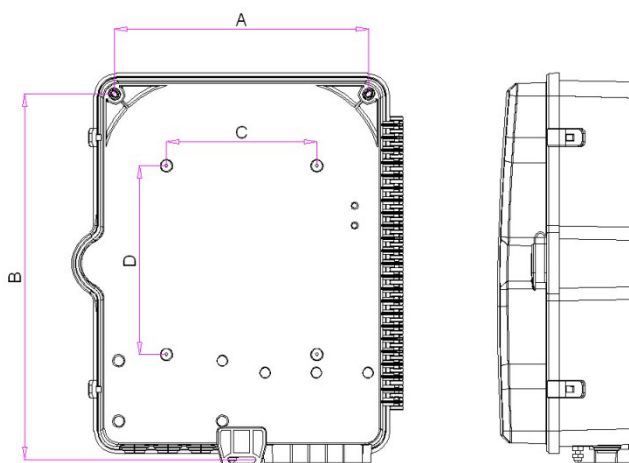
Dimension

- 236mm×302mm×112mm (A×B×C)



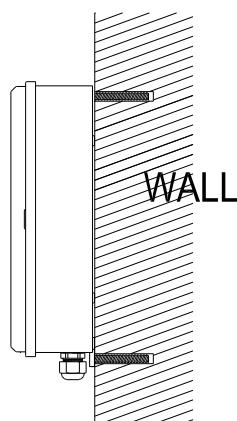
Installation Dimension

- 203mm×290mm (A×B)
- 120mm×150mm (C×D)

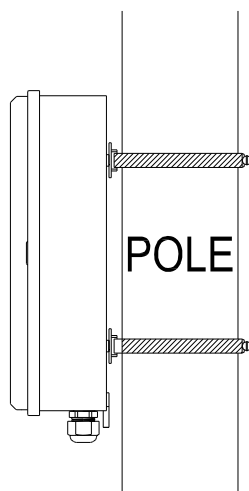


Wall-mount Installation

- 3 holes in the wall throughpercussiondrill,in above mentioned dimensions, inserting plastic expansion pipe($\Phi 7.5 \times 40$),then hang the box on the wall and fix it with screws



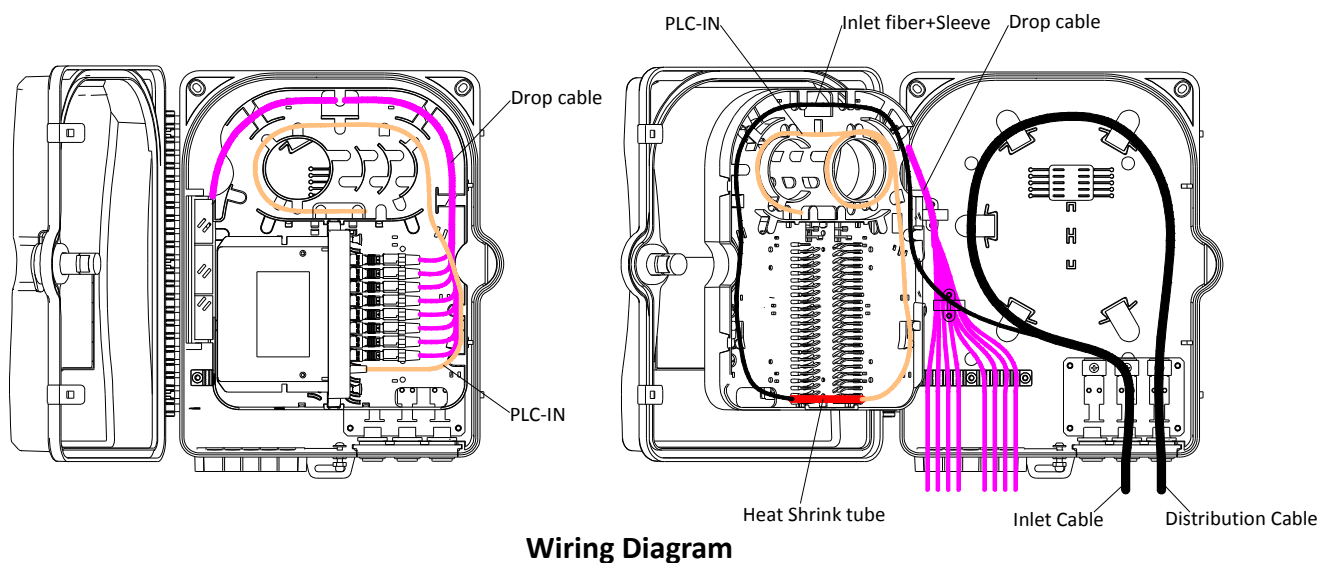
Pole mounting Installation



PLC Splitter *cassette box*

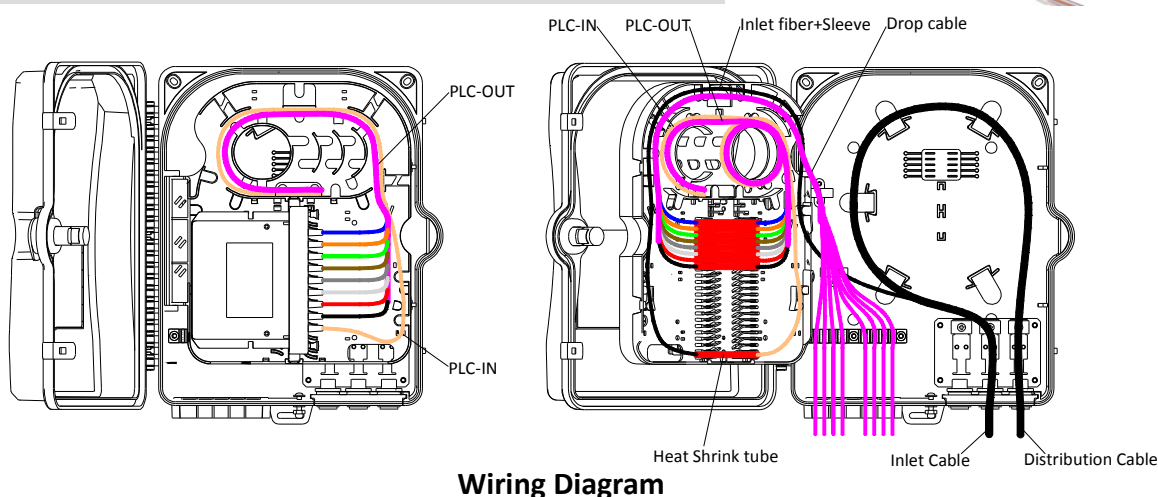
- 1x8 PLC Splitter cassette with SC connector

Color	Black
Material	ABS
PLC (IN)	Ø0.9mm 1.1M cable
PLC (OUT)	8pcs SC Adapters
Size	130×100×24.5mm
Insertion loss(Max)	10.4dB
Return loss	UPC≥50dB; APC≥55dB
Operating temperature	-40℃~85℃
Optical fiber type	G657A



● 1x8 PLC Splitter cassette without Connector

Color	Black
Material	ABS
PLC (IN)	Ø0.9mm 1.1M cable
PLC (OUT)	Ø0.9mm 1.1M cable (8color)
Size	130×100×24.5mm
Insertion loss(Max)	10.2dB
Return loss	UPC≥50dB; APC≥55dB
Operating temperature	-40℃~85℃
Optical fiber type	G657A



● 1x8 PLC Splitter without Connector

Color	/
Material	/
PLC (IN)	Ø0.9mm 1.2M cable
PLC (OUT)	Ø0.9mm 1.2M cable (8color)
Size	60×7×4mm
Insertion loss(Max)	10.2dB
Return loss	/
Operating temperature	-40℃~85℃
Optical fiber type	G657A

